

Unique Sale Points

Operating the any devices via smart phone and you can arrange your lifestyle.

One of the feature of the smart plug is the scheduling function that allows you to connect your smartphone and set timers that turn devices on and off at scheduled times.

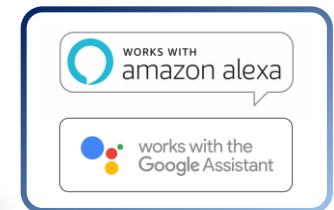


Operate the any devices with voice control

Can control any devices with the Smart Speaker by voice control (amazon alexa, Google assistant)



Smart Speaker



Convenience, comfort & security at the ease of smart phone.

Overview

Vetaar is a simple wireless home automation system. It can be controlled by smartphone and smart speaker and control each devices without complex wiring. It can be realized with the minimum number of devices such as Smart Plug, Gateway, Smart switch, Controller. Vetaar realizes convenience, comfort & security at the easy smart home system.

IoT Vetaar Smart Devices



Vetaar Smart Plug



Vetaar Smart Twin Switch



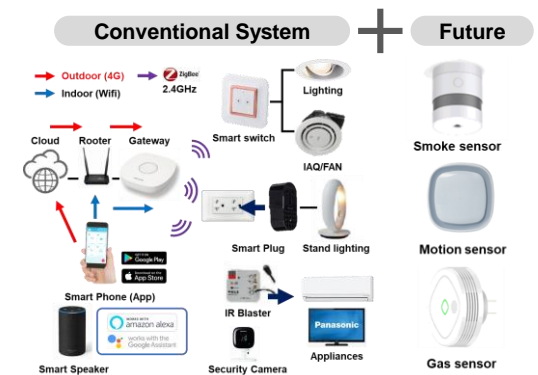
Vetaar Gateway



Vetaar Smart Controller

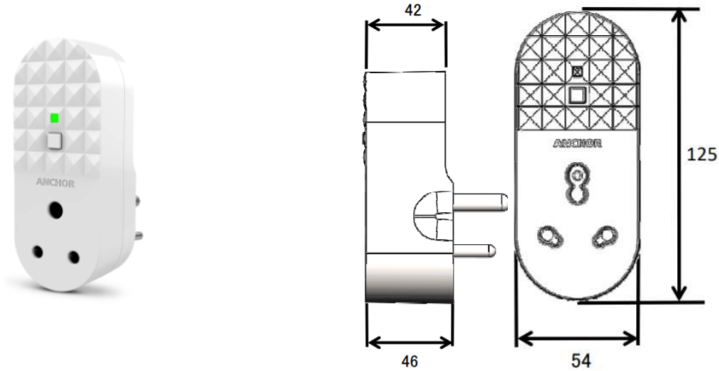
Future prospects of "Vetaar"

In addition to smart switch and smart plug, we will have the sensors can be connected with home automation in the near future. And it can realize more comfortable life.



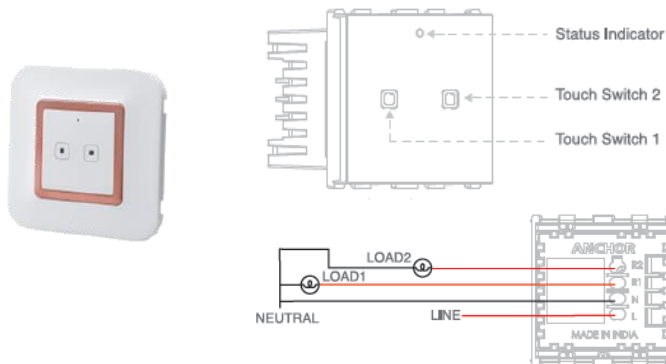
Specifications

Vetaar Smart Plug



Electrical Specifications	Product should be electrically operable	Smart Plug: Rated current : 6A / 16A max. Rated Frequency : 50 Hz Rated Voltage : 240VAC ~, Power Capacity : 3500W (Max) Gateway: Input Rated current : 1A max. Input Rated Voltage : 5V DC
Environment Specifications	Panasonic Reliability	Temp -10 °C to +50 °C Relative humidity 95% non-considering
Product Features	Usage	Turn On/Off with mobile phone application Create On/Off Schedules Receive custom notification
Connectivity Specifications		Zigbee(2.4GHz) IEEE 802.15.4 Zigbee HA 1.2 supported Compatible with iOS 8.0 or Android 5.0 or later Mobile Internet (2G, 3G, 4G) Compatibility

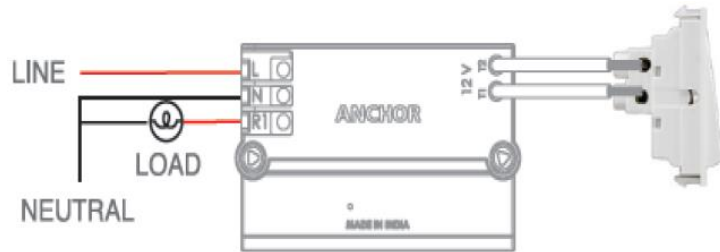
Vetaar Smart Twin Switch



Electrical Specifications	Product should be electrically operable in India	Smart Switch: Rated current : 6A (Maximum of each switch) Number of switches : 2 numbers in 2 module size 45.9 x 45.6 mm (Compatible with Urban ROMA module size) Rated Frequency : 50 Hz Rated Voltage : 240VAC, Power Capacity : 1150W (Max for single switch)
Environment Specifications	Anchor Reliability	Temp -10 °C to +50 °C Relative humidity 95% non-considering
Product Features	Usage	Turn On/Off switches with mobile phone application & manually Create On/Off Schedules in mobile phone application Receive custom notification in mobile phone application
Connectivity Specifications		Zigbee(2.4GHz) IEEE 802.15.4 Zigbee HA 1.2 support Compatible with iOS 8.0 or Android 5.0 or later

Specifications

Vetaar Smart Controller



Electrical Specifications	Product should be electrically operable	<u>Smart Switch Controller:</u> Number of Switches : 1 No (Compatible with ROMA & Urban ROMA modules & Metal boxes) Dimension : 68mm x 40mm x 19mm Rated Current : 6AC (Maximum) Rated Frequency : 50 Hz Rated Voltage : 240VAC Power Capacity : 1150W (Max)
Environment Specifications	Panasonic Reliability	Temp -10 °C to +50 °C Relative humidity 95% non-considering
Product Features	Usage	2KV Surge Immunity Turn On/Off switch with mobile phone application & manually Create On/Off schedules in mobile phone application Receive custom notification in mobile phone application Create and execute scenarios by grouping multiple devices together Voice control using Amazon Alexa
Connectivity Specifications		Zigbee(2.4GHz) IEEE 802.15.4 Zigbee HA 1.2 supported Compatible with iOS 8.0 or Android 5.0 or later

Vetaar Gateway



Electrical Specifications	Product should be electrically operable	Input Rated Current : 1A Input Voltage : 5V DC
---------------------------	---	---